

ZH23 series environment-resistant bayonet electrical connector

ZH23 series bayonet connectors have the characteristics of environmental resistance, five-button positioning, anti-insertion, and bayonet quick connection.

Used in low frequency AC and DC circuits. It can be matched and interchanged with the Russian connector CHL23 series.



Technical performance

Ambient temperature: -60 - +200 (maximum 200)

Vibration: Acceleration 40g (1-5000Hz)

Impact: acceleration 500g (1 time); 150g (multiple times)

Operating Voltage	Level	Operating Voltage(V)	Test voltage (V)
	A	700	2100
	B	500	1850
	C	400	1600

Contact current

Ø1.0	Ø1.5	Ø2.0
11A	20A	35A

Contact resistance

Ø1.0	Ø1.5	Ø2.0
≤7.4 mΩ	≤2.5 mΩ	≤1.6 mΩ

Technical conditions: .364.241

Technical specifications: Q/3E 20005-2003

Salt spray resistance: 96h

Relative humidity: 40 ~65 95%~98%

Insulation resistance: ≥5000 MQ

Mechanical and working life: 500 cycles

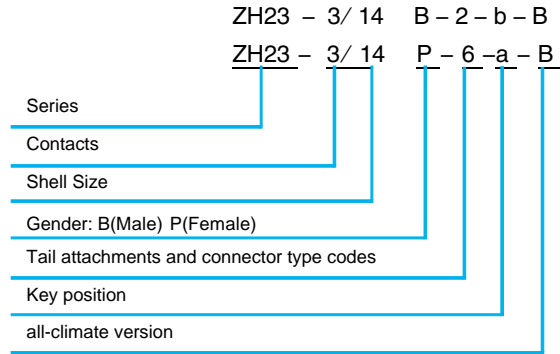
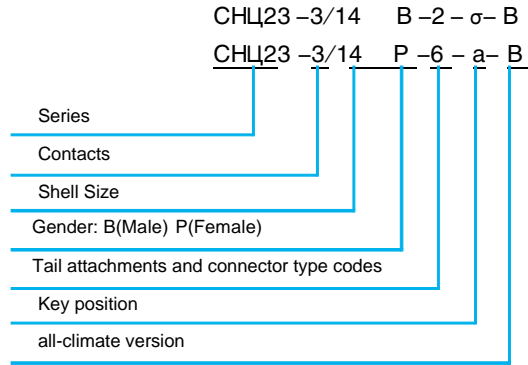
Description

No.	Item	Russian Code	China Code
1	Model	CHL23	ZH23
2	Contacts	3, 4, 7, 10, 19, 24, 28, 32, 41, 43, 45, 55, 61	3, 4, 7, 10, 19, 24, 28, 32, 41, 43, 45, 55, 61
3	Shell Size(mm)	14, 18, 22, 24, 27, 30, 33, 36, 39	14, 18, 22, 24, 27, 30, 33, 36, 39
4	Gender	B(Male) P(Female)	B(Male) P(Female)
5	Connector types & Tail attachments	1- Socket with simple tail attachment 4- Socket with angled clamp cable tail attachment 8- Plug with angled clamp cable tail attachment 12- Socket with type 09 thermoplastic sleeve type tail attachment 15- Socket with type 05 shielded straight tail attachment (memory ring) 16- Plug with type 05 shielded straight tail attachment (memory ring) 17- Socket with type 06 shielded elbow attachment (memory ring) 18- Plug with type 06 shielded elbow attachment (memory ring)	2- Socket with straight clamp cable tail attachment 6- Plug with straight clamp cable tail attachment 11- Plug with simple tail attachment 13- Plug with type 09 thermoplastic sleeve tail attachment
6	Key position	Unmarked - standard key position a, σ, B, r	Unmarked - standard key position a, b, c, d
7	all-climate version		B

ZH23 series environment-resistant bayonet electrical connector

Russian:

China:

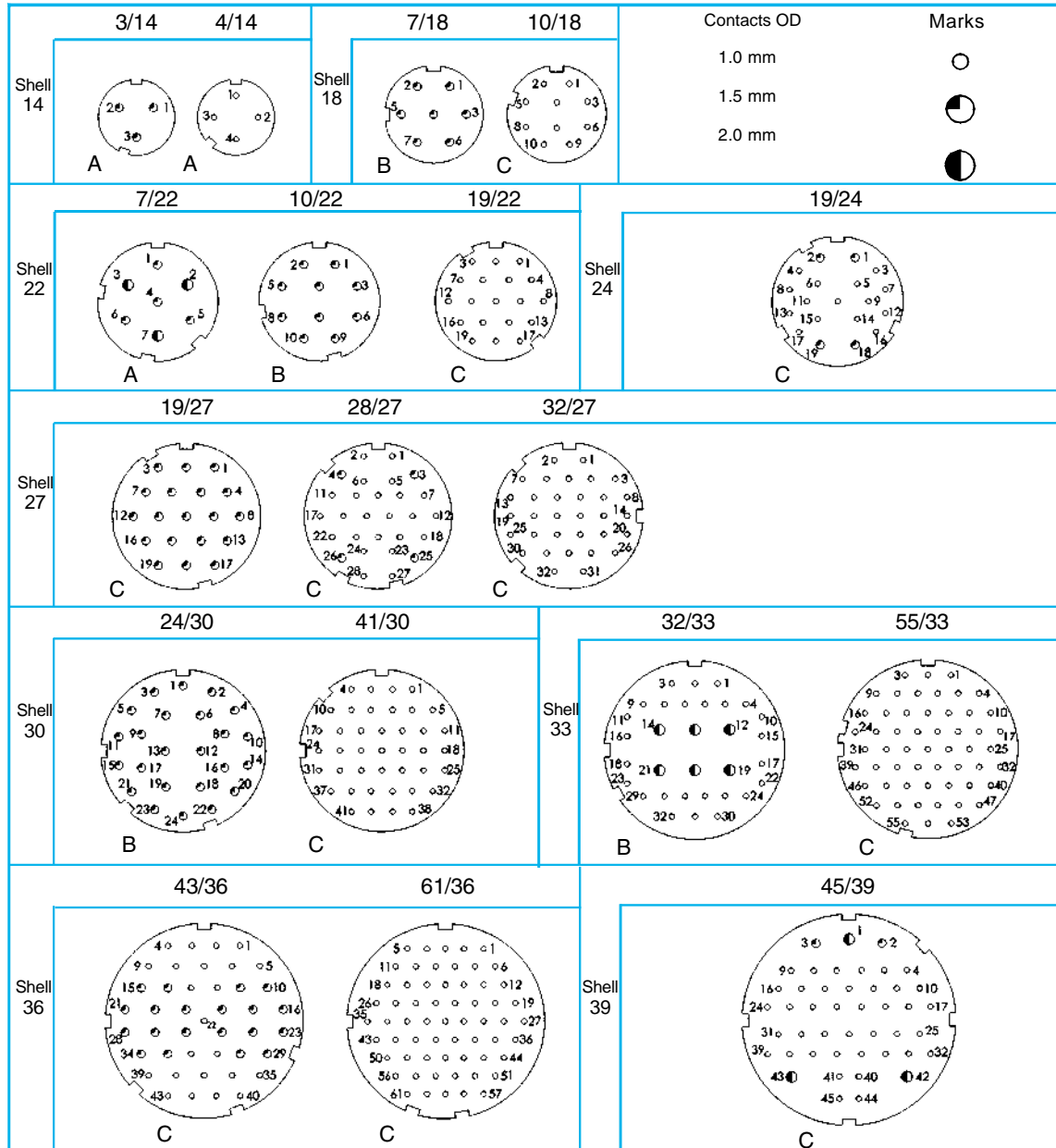


Tail attachments

Model	ZH23	N	-05	-33
Surface Finishing N- Nickel plated for the shell J- Cadmium plated for the shell				
Tail attachments				
Type 05-Shielded straight tail attachment (with memory ring)				
Type 06-Shielded angled tail attachment (with memory ring)				
Type 07-Shielded tail attachment (simple form)				
Type 08-Shielded straight clamp cable tail attachment				
Type 09-Thermoplastic tubular tail attachment				
Type 10-Shielded angled tail attachment				
Type 11-Shielded angled cable tail attachment				
Shell size 14, 18, 22, 24, 27, 30, 33, 36, 39				

ZH23 series environment-resistant bayonet electrical connector

Pin arrangements



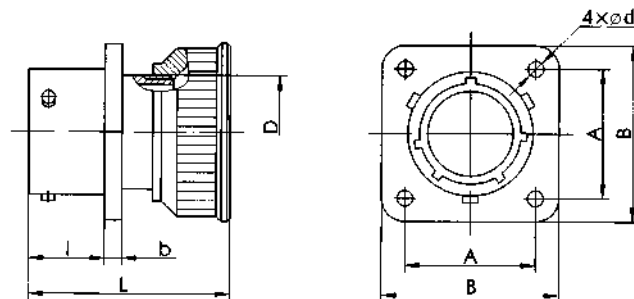
ZH23 series environment-resistant bayonet electrical connector

Key Positions

Model	a、 (a)	σ、 (b)	B、 (c)	Γ (d)	No mark	Model	a、 (a)	σ、 (b)	B、 (c)	Γ (d)	No mark
3/14	160				0	28/27	45	150	195		0
4/14		135			0	32/27	45	135		270	0
7/18	90				0	24/30	90	135	200		0
10/18		70			0	41/30	45	90			0
7/22	80	170	225		0	32/33	90	120			0
10/22		100	195		0	55/33	75	90		165	0
19/22	30		225		0	43/36	90	135	200	250	0
19/24	30	120	245		0	61/36	90	160	190		0
19/27	30	195			0	45/39	90	180	270	315	0

Installation Dimensions

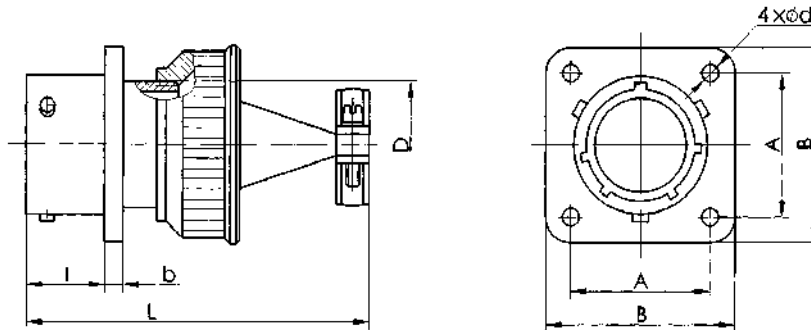
1 - Socket with simple tail attachment



Model	Size in mm						
	A	Bmax	D	dmin	lmax	bmax	Lmax
CHL23-4/14B(P)-1-B	16.5	21.7	M14x0.5	2.2	11.3	1.4	32.5
CHL23-3/14B(P)-1-B							
CHL23-10/18B(P)-1-B			M18x1				
CHL23-7/18B(P)-1-B							
CHL23-19/22B(P)-1-B	23	29.4	M22x1	3.2		1.8	
CHL23-10/22B(P)-1-B							
CHL23-7/22B(P)-1-B	25	31.4	M24x1	3.2		1.8	
CHL23-19/24B(P)-1-B							
CHL23-32/27B(P)-1-B	27	33.4	M27x1	3.2	1.8		
CHL23-19/27B(P)-1-B							
CHL23-28/27B(P)-1-B	31	37.8	M30x1	3.2	1.8		
CHL23-41/30B(P)-1-B							
CHL23-24/30B(P)-1-B	34	41.5	M33x1	3.2	2		
CHL23-55/33B(P)-1-B							
CHL23-32/33B(P)-1-B	36.5	44.5	M36x1	3.2	2		
CHL23-61/36B(P)-1-B							
CHL23-43/36B(P)-1-B	40	46.4	M39x1	3.2	2		
CHL23-45/39B(P)-1-B							

ZH23 series environment-resistant bayonet electrical connector

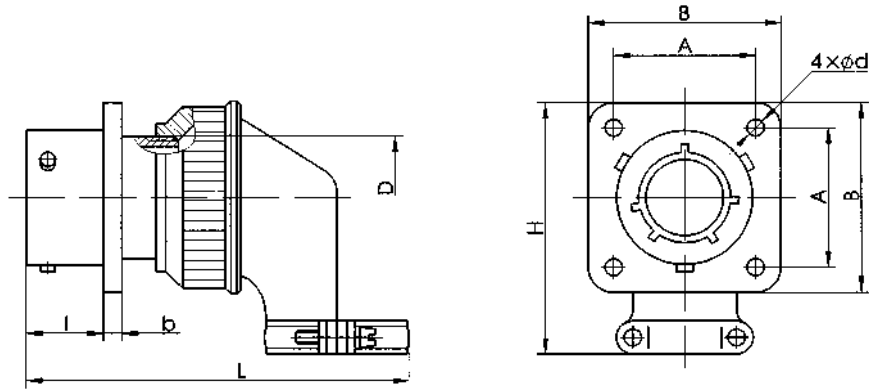
2 - Socket with straight clamp cable tail attachment



Model	Size in mm									
	A	Bmax	D	dmin	lmax	bmax	Lmax			
CHЦ23-4/14B(P)-2-B	16.5	21.7	M14x0.5	2.2	11.3	1.4	42			
CHЦ23-3/14B(P)-2-B										
CHЦ23-10/18B(P)-2-B	19.5	25.9	M18x1	3.2		1.8	48			
CHЦ23-7/18B(P)-2-B										
CHЦ23-19/22B(P)-2-B	23	29.4	M22x1			11.3	1.8	48		
CHЦ23-10/22B(P)-2-B										
CHЦ23-7/22B(P)-2-B	25	31.4	M24x1				3.2	2	50	
CHЦ23-19/24B(P)-2-B										
CHЦ23-32/27B(P)-2-B	27	33.4	M27x1					14.5	2	50
CHЦ23-19/27B(P)-2-B										
CHЦ23-28/27B(P)-2-B	31	37.8	M30x1		15.3				2	50
CHЦ23-41/30B(P)-2-B										
CHЦ23-24/30B(P)-2-B	34	41.5	M33x1	3.2					2	50
CHЦ23-55/33B(P)-2-B										
CHЦ23-32/33B(P)-2-B	36.5	44.5	M36x1			11.3			2	50
CHЦ23-61/36B(P)-2-B										
CHЦ23-43/36B(P)-2-B	40	46.4	M39x1				15.3		2	50
CHЦ23-45/39B(P)-2-B										

ZH23 series environment-resistant bayonet electrical connector

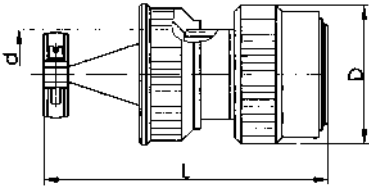
④ 4 - Socket with angled clamp cable tail attachment



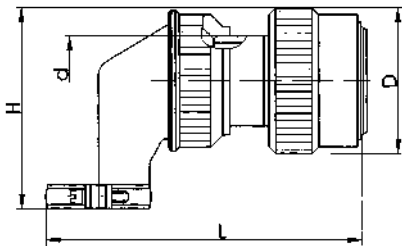
Model	Size in mm								
	A	Bmax	D	dmin	lmax	bmax	Hmax	Lmax	
CHL23-4/14B(P)-4-B	16.5	21.7	M14x0.5	2.2	11.3	1.4	69	69	
CHL23-3/14B(P)-4-B									
CHL23-10/18B(P)-4-B	19.5	25.9	M18x1						
CHL23-7/18B(P)-4-B									
CHL23-19/22B(P)-4-B	23	29.4	M22x1						
CHL23-10/22B(P)-4-B									
CHL23-7/22B(P)-4-B	25	31.4	M24x1						
CHL23-19/24B(P)-4-B									
CHL23-32/27B(P)-4-B	27	33.4	M27x1	3.2					4.6
CHL23-19/27B(P)-4-B									
CHL23-28/27B(P)-4-B	31	37.8	M30x1						
CHL23-41/30B(P)-4-B									
CHL23-24/30B(P)-4-B	34	41.5	M33x1	14.5	2.15				
CHL23-55/33B(P)-4-B									
CHL23-32/33B(P)-4-B	36.5	44.5	M36x1	15.3					
CHL23-61/36B(P)-4-B									
CHL23-43/36B(P)-4-B	40	46.4	M39x1						
CHL23-45/39B(P)-4-B									

ZH23 series environment-resistant bayonet electrical connector

6 - Plug with straight clamp cable tail attachment



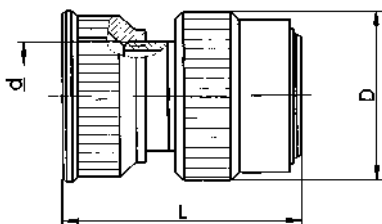
8 - Plug with angled clamp cable tail attachment



型号	Size in mm		
	Dmax	d	Lmax
CHL23-4/14B(P)-6-B	22.6	M14x0.5	50
CHL23-3/14B(P)-6-B			
CHL23-10/18B(P)-6-B			
CHL23-7/18B(P)-6-B	26	M18x1	
CHL23-19/22B(P)-6-B			
CHL23-10/22B(P)-6-B			
CHL23-7/22B(P)-6-B	29.7	M22x1	
CHL23-19/24B(P)-6-B			
CHL23-32/27B(P)-6-B			
CHL23-19/27B(P)-6-B	32.9	M24x1	
CHL23-28/27B(P)-6-B			
CHL23-41/30B(P)-6-B			
CHL23-24/30B(P)-6-B	35.3	M27x1	
CHL23-55/33B(P)-6-B			
CHL23-32/33B(P)-6-B			
CHL23-61/36B(P)-6-B	38	M30x1	
CHL23-43/36B(P)-6-B			
CHL23-45/39B(P)-6-B			
CHL23-43/36B(P)-6-B	42	M33x1	
CHL23-61/36B(P)-6-B			
CHL23-43/36B(P)-6-B			
CHL23-43/36B(P)-6-B	46	M36x1	
CHL23-43/36B(P)-6-B			
CHL23-43/36B(P)-6-B			
CHL23-43/36B(P)-6-B	49	M39x1	
CHL23-43/36B(P)-6-B			
CHL23-43/36B(P)-6-B			

Model	Size in mm			
	D	d	Hmax	Lmax
CHL23-4/14B(P)-8-B	22	M14x0.5	45	69
CHL23-3/14B(P)-8-B				
CHL23-10/18B(P)-8-B				
CHL23-7/18B(P)-8-B	26	M18x1		
CHL23-19/22B(P)-8-B				
CHL23-10/22B(P)-8-B				
CHL23-7/22B(P)-8-B	29.5	M22x1		
CHL23-19/24B(P)-8-B				
CHL23-32/27B(P)-8-B				
CHL23-19/27B(P)-8-B	32	M24x1		
CHL23-28/27B(P)-8-B				
CHL23-41/30B(P)-8-B				
CHL23-24/30B(P)-8-B	35	M27x1		
CHL23-55/33B(P)-8-B				
CHL23-32/33B(P)-8-B				
CHL23-61/36B(P)-8-B	38	M30x1		
CHL23-43/36B(P)-8-B				
CHL23-43/36B(P)-8-B				
CHL23-43/36B(P)-8-B	42	M33x1		
CHL23-61/36B(P)-8-B				
CHL23-43/36B(P)-8-B				
CHL23-43/36B(P)-8-B	46	M36x1		
CHL23-43/36B(P)-8-B				
CHL23-43/36B(P)-8-B				
CHL23-43/36B(P)-8-B	49	M39x1		
CHL23-43/36B(P)-8-B				
CHL23-43/36B(P)-8-B				

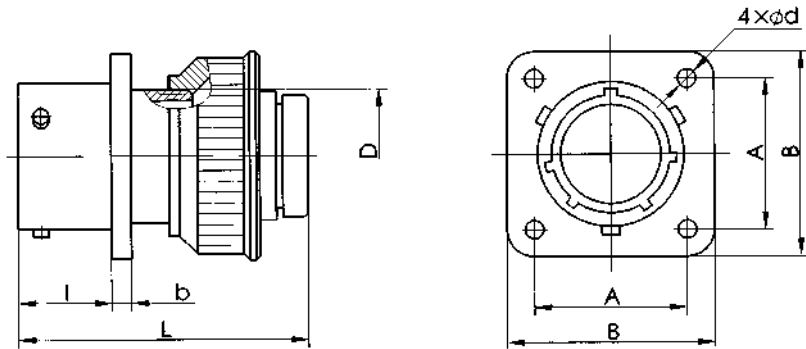
11 - Plug with simple tail attachment



Model	Size in mm		
	Dmax	d	Lmax
CHL23-4/14B(P)-11-B	22	M14x0.5	32.5
CHL23-3/14B(P)-11-B			
CHL23-10/18B(P)-11-B			
CHL23-7/18B(P)-11-B	26	M18x1	
CHL23-19/22B(P)-11-B			
CHL23-10/22B(P)-11-B			
CHL23-7/22B(P)-11-B	29.5	M22x1	
CHL23-19/24B(P)-11-B			
CHL23-32/27B(P)-11-B			
CHL23-19/27B(P)-11-B	32	M24x1	
CHL23-28/27B(P)-11-B			
CHL23-41/30B(P)-11-B			
CHL23-24/30B(P)-11-B	35	M27x1	
CHL23-55/33B(P)-11-B			
CHL23-32/33B(P)-11-B			
CHL23-61/36B(P)-11-B	38	M30x1	
CHL23-43/36B(P)-11-B			
CHL23-43/36B(P)-11-B			
CHL23-43/36B(P)-11-B	42	M33x1	
CHL23-61/36B(P)-11-B			
CHL23-43/36B(P)-11-B			
CHL23-43/36B(P)-11-B	46	M36x1	
CHL23-43/36B(P)-11-B			
CHL23-43/36B(P)-11-B			
CHL23-43/36B(P)-11-B	49	M39x1	
CHL23-43/36B(P)-11-B			
CHL23-43/36B(P)-11-B			

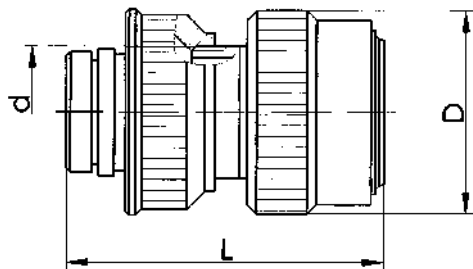
ZH23 series environment-resistant bayonet electrical connector

12 - Socket with type 09 thermoplastic sleeve type tail attachment



Model	Size in mm						
	A	Bmax	D	dmin	lmax	bmax	Lmax
CHC23-4/14B(P)-12-B	16.5	21.7	M14x0.5	2.2	11.3	1.4	50
CHC23-3/14B(P)-12-B							
CHC23-10/18B(P)-12-B	19.5	25.9	M18x1				
CHC23-7/18B(P)-12-B							
CHC23-19/22B(P)-12-B	23	29.4	M22x1				
CHC23-10/22B(P)-12-B							
CHC23-7/22B(P)-12-B	25	31.4	M24x1				
CHC23-19/24B(P)-12-B							
CHC23-32/27B(P)-12-B	27	33.4	M27x1				
CHC23-19/27B(P)-12-B							
CHC23-28/27B(P)-12-B	31	37.8	M30x1				
CHC23-41/30B(P)-12-B							
CHC23-24/30B(P)-12-B	34	41.5	M33x1	14.5	2	51	
CHC23-55/33B(P)-12-B							
CHC23-32/33B(P)-12-B	36.5	44.5	M36x1	15.3			
CHC23-61/36B(P)-12-B							
CHC23-43/36B(P)-12-B	40	46.4	M39x1				
CHC23-45/39B(P)-12-B							

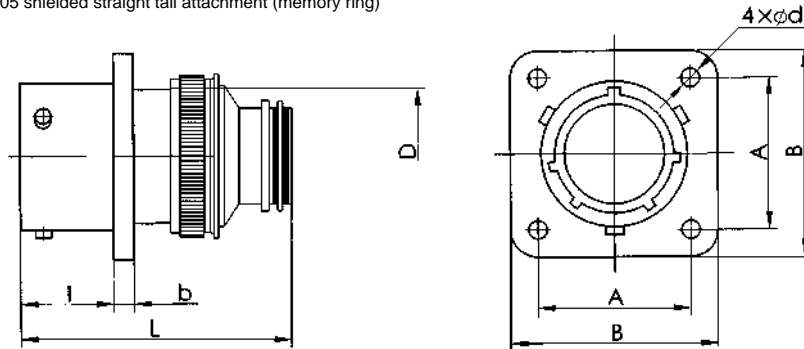
13 - Plug with type 09 thermoplastic sleeve tail attachment



Model	Size in mm		
	Dmax	d	Lmax
CHC23-4/14B(P)-13-B	22	M14x0.5	50
CHC23-3/14B(P)-13-B			
CHC23-10/18B(P)-13-B	26	M18x1	
CHC23-7/18B(P)-13-B			
CHC23-19/22B(P)-13-B	29.5	M22x1	
CHC23-10/22B(P)-13-B			
CHC23-7/22B(P)-13-B	32	M24x1	
CHC23-19/24B(P)-13-B			
CHC23-32/27B(P)-13-B	35	M27x1	
CHC23-19/27B(P)-13-B			
CHC23-28/27B(P)-13-B	38	M30x1	
CHC23-41/30B(P)-13-B			
CHC23-24/30B(P)-13-B	42	M33x1	51
CHC23-55/33B(P)-13-B			
CHC23-32/33B(P)-13-B	46	M36x1	
CHC23-61/36B(P)-13-B			
CHC23-43/36B(P)-13-B	49	M39x1	
CHC23-45/39B(P)-13-B			

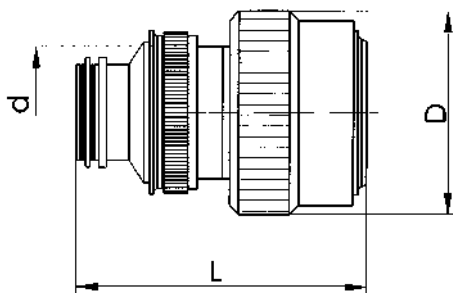
ZH23 series environment-resistant bayonet electrical connector

15 - Socket with type 05 shielded straight tail attachment (memory ring)



Model	Size in mm						
	A	Bmax	D	dmin	lmax	bmax	Lmax
CHL23-4/14B(P)-15-B	16.5	21.7	M14x0.5	2.2	11.3	1.4	55
CHL23-3/14B(P)-15-B							
CHL23-10/18B(P)-15-B	19.5	25.9	M18x1				
CHL23-7/18B(P)-15-B							
CHL23-19/22B(P)-15-B	23	29.4	M22x1				
CHL23-10/22B(P)-15-B							
CHL23-7/22B(P)-15-B	25	31.4	M24x1				
CHL23-19/24B(P)-15-B							
CHL23-32/27B(P)-15-B	27	33.4	M27x1				
CHL23-19/27B(P)-15-B							
CHL23-28/27B(P)-15-B	31	37.8	M30x1				
CHL23-41/30B(P)-15-B							
CHL23-24/30B(P)-15-B	34	41.5	M33x1	14.5	2		
CHL23-55/33B(P)-15-B							
CHL23-32/33B(P)-15-B	36.5	44.5	M36x1				
CHL23-61/36B(P)-15-B							
CHL23-43/36B(P)-15-B	40	46.4	M39x1	15.3			
CHL23-45/39B(P)-15-B							

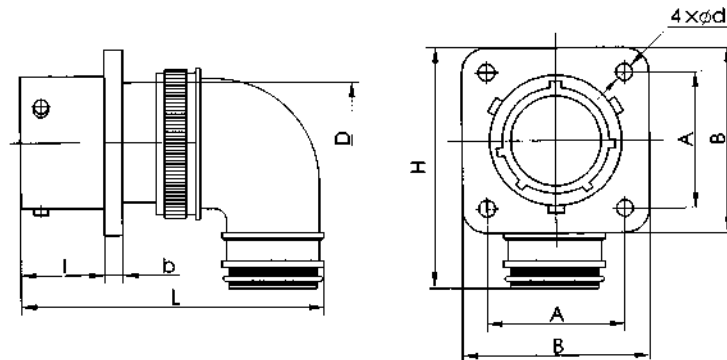
16 - Plug with type 05 shielded straight tail attachment (memory ring)



Model	Size in mm		
	Dmax	d	Lmax
CHL23-4/14B(P)-16-B	22	M14x0.5	55
CHL23-3/14B(P)-16-B			
CHL23-10/18B(P)-16-B	26	M18x1	
CHL23-7/18B(P)-16-B			
CHL23-19/22B(P)-16-B	29.5	M22x1	
CHL23-10/22B(P)-16-B			
CHL23-7/22B(P)-16-B	32	M24x1	
CHL23-19/24B(P)-16-B			
CHL23-32/27B(P)-16-B	35	M27x1	
CHL23-19/27B(P)-16-B			
CHL23-28/27B(P)-16-B	38	M30x1	
CHL23-41/30B(P)-16-B			
CHL23-24/30B(P)-16-B	42	M33x1	
CHL23-55/33B(P)-16-B			
CHL23-32/33B(P)-16-B	46	M36x1	
CHL23-61/36B(P)-16-B			
CHL23-43/36B(P)-16-B	49	M39x1	
CHL23-45/39B(P)-16-B			

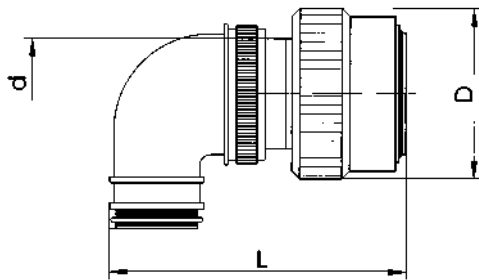
ZH23 series environment-resistant bayonet electrical connector

17 - Socket with type 06 shielded angled tail attachment (memory ring)



Model	Size in mm							
	A	Bmax	D	dmin	lmax	bmax	Lmax	Hmax
CHL23-4/14B(P)-17-B	16.5	21.7	M14x0.5	2.2	11.3	1.4	40	69
CHL23-3/14B(P)-17-B								
CHL23-10/18B(P)-17-B	19.5	25.9	M18x1	3.2				
CHL23-7/18B(P)-17-B								
CHL23-19/22B(P)-17-B	23	29.4	M22x1	14.5				
CHL23-10/22B(P)-17-B								
CHL23-7/22B(P)-17-B	25	31.4	M24x1	15.3				
CHL23-19/24B(P)-17-B								
CHL23-32/27B(P)-17-B	27	33.4	M27x1	2				
CHL23-19/27B(P)-17-B								
CHL23-28/27B(P)-17-B	31	37.8	M30x1	2				
CHL23-41/30B(P)-17-B								
CHL23-24/30B(P)-17-B	34	41.5	M33x1	2				
CHL23-55/33B(P)-17-B								
CHL23-32/33B(P)-17-B	36.5	44.5	M36x1	2				
CHL23-61/36B(P)-17-B								
CHL23-43/36B(P)-17-B	40	46.4	M39x1	2				
CHL23-45/39B(P)-17-B								

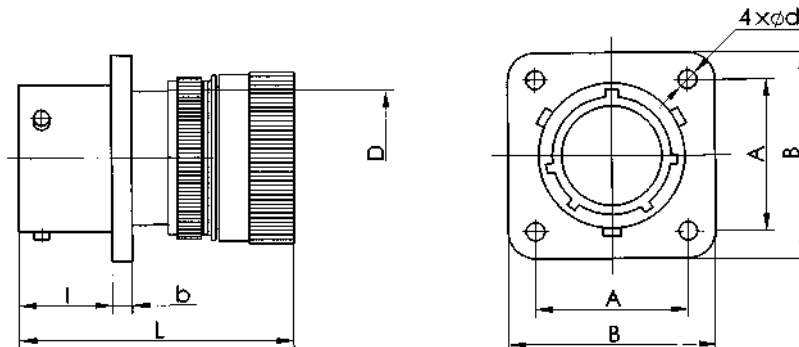
18 - Plug with type 06 shielded angled tail attachment (memory ring)



Model	Size in mm		
	Dmax	d	Lmax
CHL23-4/14B(P)-18-B	22	M14x0.5	40
CHL23-3/14B(P)-18-B			
CHL23-10/18B(P)-18-B	26	M18x1	
CHL23-7/18B(P)-18-B			
CHL23-19/22B(P)-18-B	29.5	M22x1	
CHL23-10/22B(P)-18-B			
CHL23-7/22B(P)-18-B	32	M24x1	
CHL23-19/24B(P)-18-B			
CHL23-32/27B(P)-18-B	35	M27x1	
CHL23-19/27B(P)-18-B			
CHL23-28/27B(P)-18-B	38	M30x1	
CHL23-41/30B(P)-18-B			
CHL23-24/30B(P)-18-B	42	M33x1	
CHL23-55/33B(P)-18-B			
CHL23-32/33B(P)-18-B	46	M36x1	
CHL23-61/36B(P)-18-B			
CHL23-43/36B(P)-18-B	49	M39x1	
CHL23-45/39B(P)-18-B			

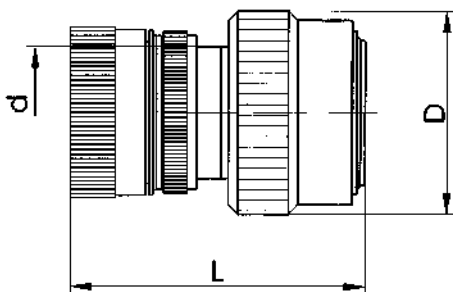
ZH23 series environment-resistant bayonet electrical connector

19 - Socket with 07 type shielded simple tail attachment



Model	Size in mm						
	A	Bmax	D	dmin	lmax	bmax	Lmax
CHC23-4/14B(P)-19-B	16.5	21.7	M14x0.5	2.2	11.3	1.4	56
CHC23-3/14B(P)-19-B							
CHC23-10/18B(P)-19-B	19.5	25.9	M18x1	3.2			
CHC23-7/18B(P)-19-B							
CHC23-19/22B(P)-19-B	23	29.4	M22x1				
CHC23-10/22B(P)-19-B							
CHC23-7/22B(P)-19-B	25	31.4	M24x1				
CHC23-19/24B(P)-19-B							
CHC23-32/27B(P)-19-B	27	33.4	M27x1				
CHC23-19/27B(P)-19-B							
CHC23-28/27B(P)-19-B	31	37.8	M30x1				
CHC23-41/30B(P)-19-B							
CHC23-24/30B(P)-19-B	34	41.5	M33x1	14.5			
CHC23-55/33B(P)-19-B							
CHC23-32/33B(P)-19-B	36.5	44.5	M36x1	15.3			
CHC23-61/36B(P)-19-B							
CHC23-43/36B(P)-19-B	40	46.4	M39x1				
CHC23-45/39B(P)-19-B							

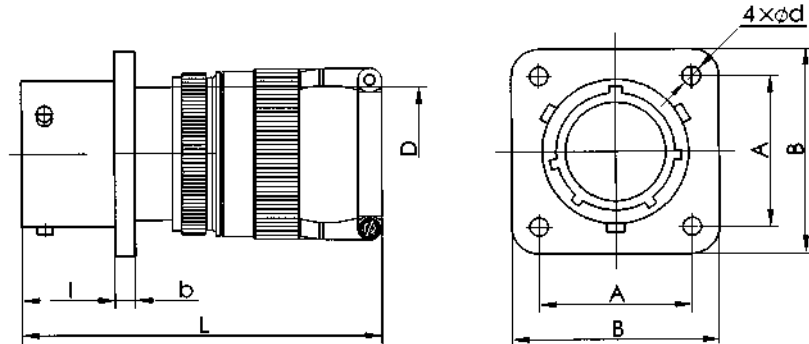
20 - Plug with 07 type shielded simple tail attachment



Model	Size in mm		
	Dmax	d	Lmax
CHC23-4/14B(P)-20-B	22	M14x0.5	56
CHC23-3/14B(P)-20-B			
CHC23-10/18B(P)-20-B	26	M18x1	
CHC23-7/18B(P)-20-B			
CHC23-19/22B(P)-20-B	29.5	M22x1	
CHC23-10/22B(P)-20-B			
CHC23-7/22B(P)-20-B	32	M24x1	
CHC23-19/24B(P)-20-B			
CHC23-32/27B(P)-20-B	35	M27x1	
CHC23-19/27B(P)-20-B			
CHC23-28/27B(P)-20-B	38	M30x1	
CHC23-41/30B(P)-20-B			
CHC23-24/30B(P)-20-B	42	M33x1	
CHC23-55/33B(P)-20-B			
CHC23-32/33B(P)-20-B	46	M36x1	
CHC23-61/36B(P)-20-B			
CHC23-43/36B(P)-20-B	49	M39x1	
CHC23-45/39B(P)-20-B			

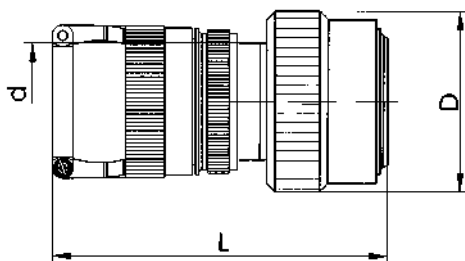
ZH23 series environment-resistant bayonet electrical connector

21 - Socket with 08 type shielded straight clamp cable tail attachment



Model	Size in mm									
	A	Bmax	D	dmin	lmax	bmax	Lmax			
CHC23-4/14B(P)-21-B	16.5	21.7	M14x0.5	2.2	11.3	1.4	66			
CHC23-3/14B(P)-21-B										
CHC23-10/18B(P)-21-B	19.5	25.9	M18x1	3.2		1.8	70			
CHC23-7/18B(P)-21-B										
CHC23-19/22B(P)-21-B	23	29.4	M22x1			14.5	2	78		
CHC23-10/22B(P)-21-B										
CHC23-7/22B(P)-21-B	25	31.4	M24x1				15.3	2	78	
CHC23-19/24B(P)-21-B										
CHC23-32/27B(P)-21-B	27	33.4	M27x1					15.3	2	78
CHC23-19/27B(P)-21-B										
CHC23-28/27B(P)-21-B	31	37.8	M30x1		15.3				2	78
CHC23-41/30B(P)-21-B										
CHC23-24/30B(P)-21-B	34	41.5	M33x1	15.3					2	78
CHC23-55/33B(P)-21-B										
CHC23-32/33B(P)-21-B	36.5	44.5	M36x1			15.3			2	78
CHC23-61/36B(P)-21-B										
CHC23-43/36B(P)-21-B	40	46.4	M39x1				15.3		2	78
CHC23-45/39B(P)-21-B										

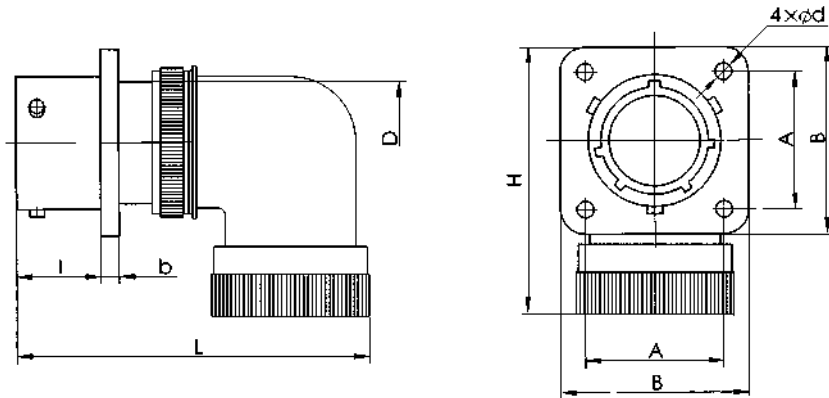
22 - Plug with 08 type shielded straight clamp cable tail attachment



Model	Size in mm		
	Dmax	d	Lmax
CHC23-4/14B(P)-22-B	22	M14x0.5	66
CHC23-3/14B(P)-22-B			
CHC23-10/18B(P)-22-B	26	M18x1	70
CHC23-7/18B(P)-22-B			
CHC23-19/22B(P)-22-B	29.5	M22x1	70
CHC23-10/22B(P)-22-B			
CHC23-7/22B(P)-22-B	32	M24x1	72
CHC23-19/24B(P)-22-B			
CHC23-32/27B(P)-22-B	35	M27x1	72
CHC23-19/27B(P)-22-B			
CHC23-28/27B(P)-22-B	38	M30x1	78
CHC23-41/30B(P)-22-B			
CHC23-24/30B(P)-22-B	42	M33x1	78
CHC23-55/33B(P)-22-B			
CHC23-32/33B(P)-22-B	46	M36x1	78
CHC23-61/36B(P)-22-B			
CHC23-43/36B(P)-22-B	49	M39x1	78
CHC23-45/39B(P)-22-B			

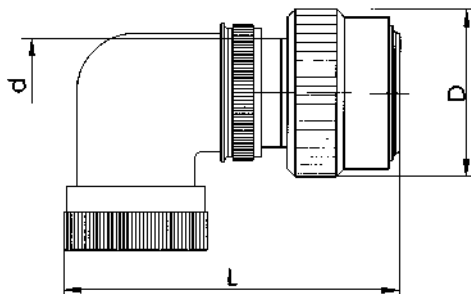
ZH23 series environment-resistant bayonet electrical connector

25 - Socket with type 10 shielded angled tail attachment



Model	Size in mm							
	A	Bmax	D	dmin	lmax	bmax	Lmax	Hmax
CHЦ23-4/14B(P)-25-B	16.5	21.7	M14x0.5	2.2	11.3	1.4	66	57
CHЦ23-3/14B(P)-25-B	19.5	25.9	M18x1	3.2				
CHЦ23-10/18B(P)-25-B	23	29.4	M22x1			1.8	70	
CHЦ23-7/18B(P)-25-B	25	31.4	M24x1					
CHЦ23-19/22B(P)-25-B	27	33.4	M27x1			72		
CHЦ23-10/22B(P)-25-B	31	37.8	M30x1					
CHЦ23-7/22B(P)-25-B	34	41.5	M33x1			73		
CHЦ23-19/24B(P)-25-B	36.5	44.5	M36x1					
CHЦ23-32/27B(P)-25-B	40	46.4	M39x1			14.5	2	78
CHЦ23-19/27B(P)-25-B						15.3		
CHЦ23-28/27B(P)-25-B								
CHЦ23-41/30B(P)-25-B								
CHЦ23-24/30B(P)-25-B								
CHЦ23-55/33B(P)-25-B								
CHЦ23-32/33B(P)-25-B								
CHЦ23-61/36B(P)-25-B								
CHЦ23-43/36B(P)-25-B								
CHЦ23-45/39B(P)-25-B								

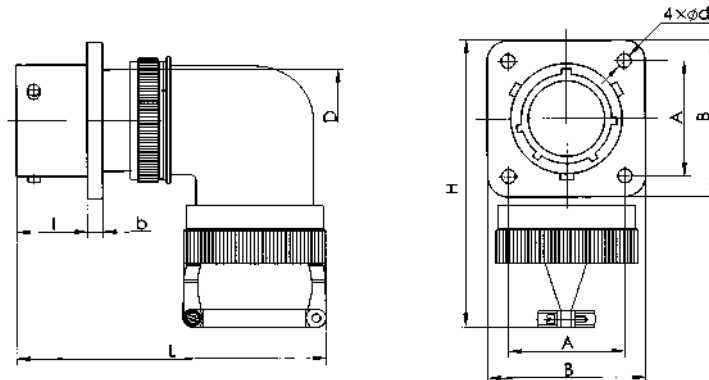
26 - Plug with type 10 shielded elbow attachment



Model	Size in mm		
	Dmax	d	Lmax
CHЦ23-4/14B(P)-26-B	22	M14x0.5	66
CHЦ23-3/14B(P)-26-B			
CHЦ23-10/18B(P)-26-B	26	M18x1	
CHЦ23-7/18B(P)-26-B			
CHЦ23-19/22B(P)-26-B	29.5	M22x1	70
CHЦ23-10/22B(P)-26-B			
CHЦ23-7/22B(P)-26-B	32	M24x1	72
CHЦ23-19/24B(P)-26-B			
CHЦ23-32/27B(P)-26-B	35	M27x1	
CHЦ23-19/27B(P)-26-B			
CHЦ23-28/27B(P)-26-B	38	M30x1	78
CHЦ23-41/30B(P)-26-B			
CHЦ23-24/30B(P)-26-B	42	M33x1	
CHЦ23-55/33B(P)-26-B			
CHЦ23-32/33B(P)-26-B	46	M36x1	
CHЦ23-61/36B(P)-26-B			
CHЦ23-43/36B(P)-26-B	49	M39x1	
CHЦ23-45/39B(P)-26-B			

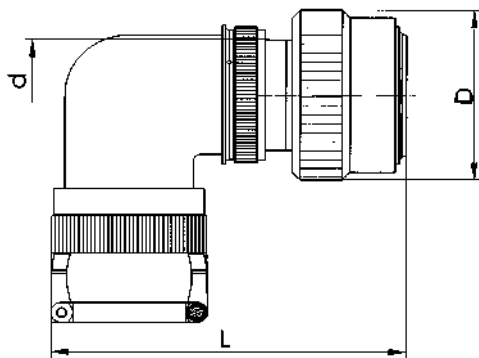
ZH23 series environment-resistant bayonet electrical connector

27 - Socket with type 11 shielded elbow cable tail attachment



Model	Size in mm							
	A	Bmax	D	dmin	lmax	bmax	Lmax	Hmax
CHC23-4/14B(P)-27-B	16.5	21.7	M14x0.5	2.2	11.3	1.4	66	51
CHC23-3/14B(P)-27-B								
CHC23-10/18B(P)-27-B	19.5	25.9	M18x1	3.2		1.8	72	87
CHC23-7/18B(P)-27-B								
CHC23-19/22B(P)-27-B								
CHC23-10/22B(P)-27-B	23	29.4	M22x1	3.2		1.8	72	87
CHC23-7/22B(P)-27-B								
CHC23-19/24B(P)-27-B	25	31.4	M24x1	3.2		1.8	72	87
CHC23-32/27B(P)-27-B								
CHC23-19/27B(P)-27-B	27	33.4	M27x1	3.2		1.8	72	87
CHC23-28/27B(P)-27-B								
CHC23-41/30B(P)-27-B	31	37.8	M30x1	3.2	1.8	72	87	
CHC23-24/30B(P)-27-B								
CHC23-55/33B(P)-27-B	34	41.5	M33x1	3.2	14.5	78	113	
CHC23-32/33B(P)-27-B								
CHC23-61/36B(P)-27-B	36.5	44.5	M36x1	3.2	15.3	78	113	
CHC23-43/36B(P)-27-B								
CHC23-45/39B(P)-27-B	40	46.4	M39x1	3.2	15.3	78	113	

28 - Plug with type 11 shielded elbow cable end attachment



Model	Size in mm		
	Dmax	d	Lmax
CHC23-4/14B(P)-28-B	22	M14x0.5	66
CHC23-3/14B(P)-28-B			
CHC23-10/18B(P)-28-B	26	M18x1	72
CHC23-7/18B(P)-28-B			
CHC23-19/22B(P)-28-B			
CHC23-10/22B(P)-28-B	29.5	M22x1	72
CHC23-7/22B(P)-28-B			
CHC23-19/24B(P)-28-B	32	M24x1	72
CHC23-32/27B(P)-28-B			
CHC23-19/27B(P)-28-B	35	M27x1	72
CHC23-28/27B(P)-28-B			
CHC23-41/30B(P)-28-B	38	M30x1	78
CHC23-24/30B(P)-28-B			
CHC23-55/33B(P)-28-B	42	M33x1	78
CHC23-32/33B(P)-28-B			
CHC23-61/36B(P)-28-B	46	M36x1	78
CHC23-43/36B(P)-28-B			
CHC23-45/39B(P)-28-B	49	M39x1	78