

PC series small circular electrical connectors are small in size, metal aluminum shell, light weight, threaded /cut-in connection, reliable electrical connection, easy to use, currently have 4, 7, 10, 19, 32, 50 cores, commonly compatible with Russia's PC() - 4, 7, 10, 19, 32, 50-core products. It is widely used in electrical connections between various electronic instruments and electrical equipment. There are two installation methods: Flange type and cable type. PC plugs and sockets could be male or female according to your needs.



Technical Parameters

芯数 Number of Contacts	4. 7. 10. 19. 32. 50		
壳体材质 Shell Material	铝合金 Aluminum Alloy	电压 Voltage	200V
绝缘材质 Insulator Material	Bakelite/PEI	插针电阻 Contact Resistance	≤8mΩ
插针材质 Contact Material	银, 金 Silver, Gold	插针直径 Contact Dia.	Φ1mm
大气压力 Atmosphere	101.33KPa-6.67Pa	使用寿命 Endurance	500 Cycles
振动 Vibration	10-2000Hz	工作温度 Temperature	-40°C~+200°C
工作电流 Working Current	3A	相对湿度 Relative Humidity	(92-98)%/40+2°C

ORDER INFORMATION

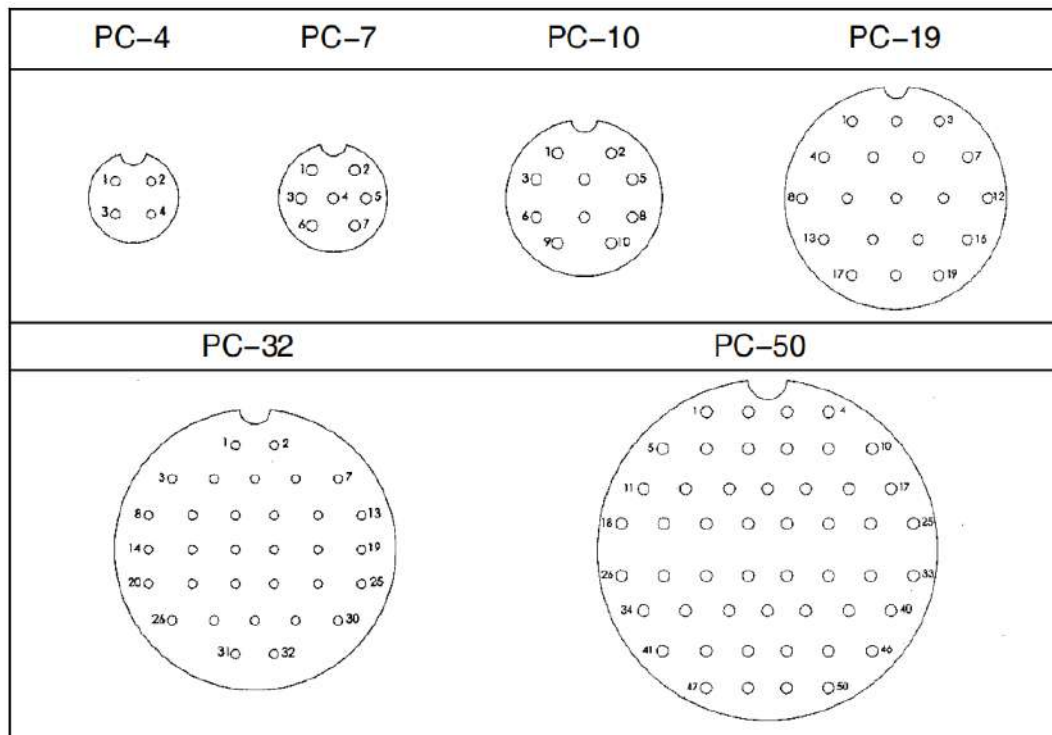
Product NO.:

PC - 4 T K

Pins: 4,7,10,19, 32, 50 pin



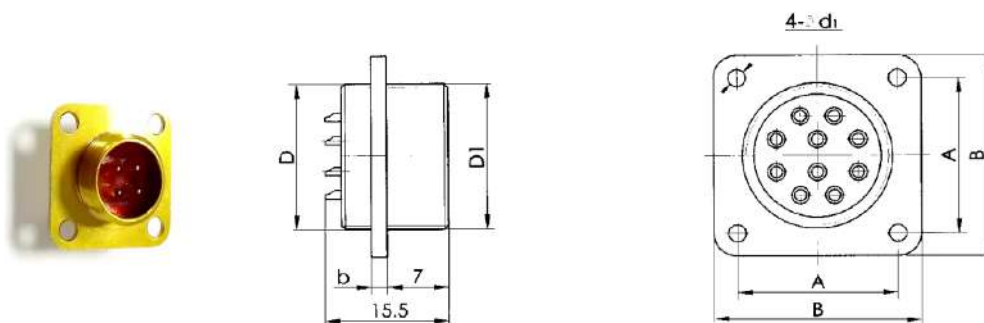
Contacts arrangements (From female view)



PC

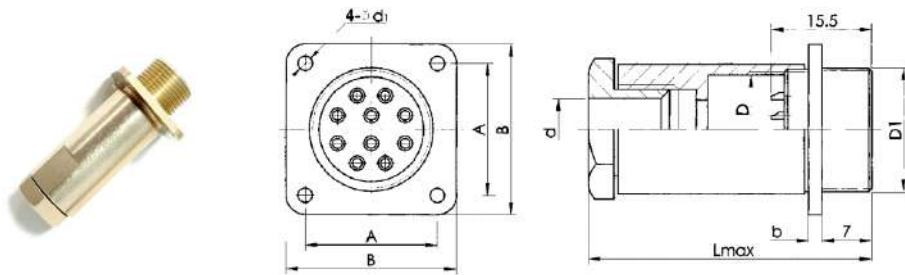
Appearance and installation dimensions

Socket without tail attachment (Thread connection)



接触件数量	D	D ₁	d ₁	A	B	b
PC-4	M10×0.75	M10×0.75	2.2	11.8±0.1	16.5	1.4
PC-7	M12×0.75	M12×0.75	2.2	13.2±0.1	18	1.4
PC-10	M14×0.75	M14×0.75	2.2	15±0.1	20	1.4
PC-19	M18×0.75	M18×1	2.2	18±0.1	24	1.4
PC-32	M22×0.75	M22×1	2.7	21.5±0.1	28	1.8
PC-50	M27×0.75	M27×1	3.2	26±0.1	33	2.0

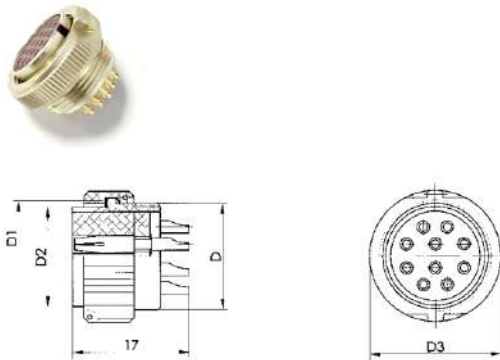
Socket with tail attachment (Thread connection)



型号	D	D1	d	b	A	B	d1	Lmax
PC-4	M10×0.75	M10×0.75	6	1.4	11.8±0.1	16.5	2.2	36
PC-7	M12×0.75	M12×0.75	8	1.4	13.2±0.1	18	2.2	38
PC-10	M14×0.75	M14×0.75	9	1.4	15±0.1	20	2.2	41
PC-19	M18×0.75	M18×1	11	1.4	18±0.1	24	2.2	43
PC-32	M22×0.75	M22×1	13	1.8	21.5±0.1	28	2.7	45
PC-50	M27×0.75	M27×1	16	2.0	26±0.1	33	3.2	50

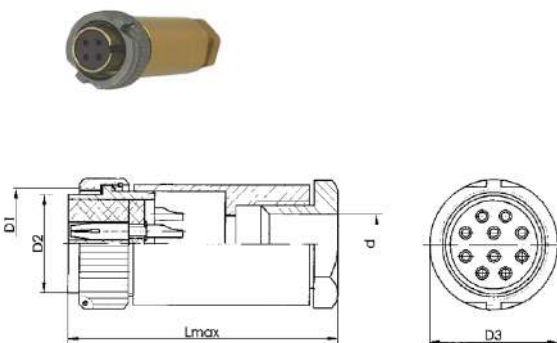
PC

Cable plug without tail attachment (Thread connection)



D	D1	D2	D3
M10×0.75	M10×0.75	8.2	13.8
M12×0.75	M12×0.75	10	15
M14×0.75	M14×0.75	12	17.7
M18×0.75	M18×1	15.5	21.5
M22×0.75	M22×1	19.5	26.3
M27×0.75	M27×1	24	31.1

Cable plug with tail attachment (Thread connection)



D	D1	D2	D3	d	Lmax
M10×0.75	M10×0.75	8.2	13	6	36
M12×0.75	M12×0.75	10	15	8	38
M14×0.75	M14×0.75	12	17.7	9	41
M18×0.75	M18×1	15.5	21.5	11	42
M22×0.75	M22×1	19.5	26.3	13	42
M27×0.75	M27×1	24	31.1	16	50