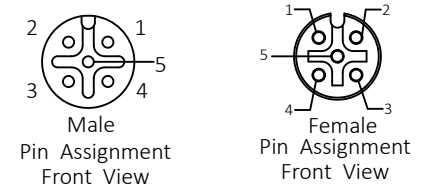
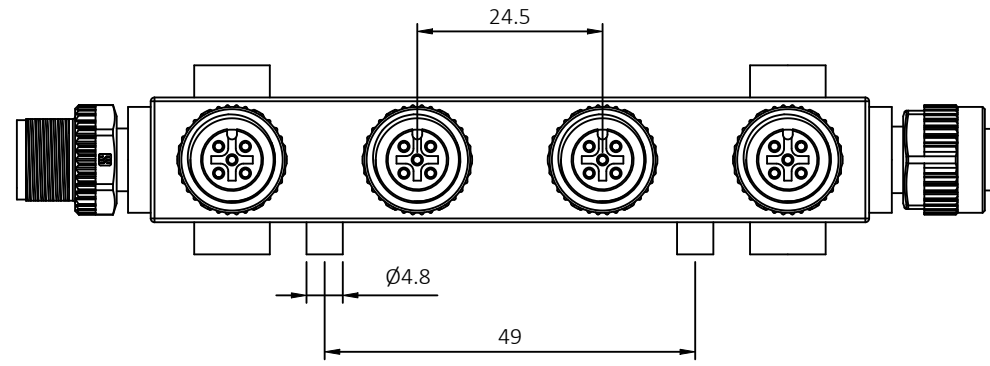
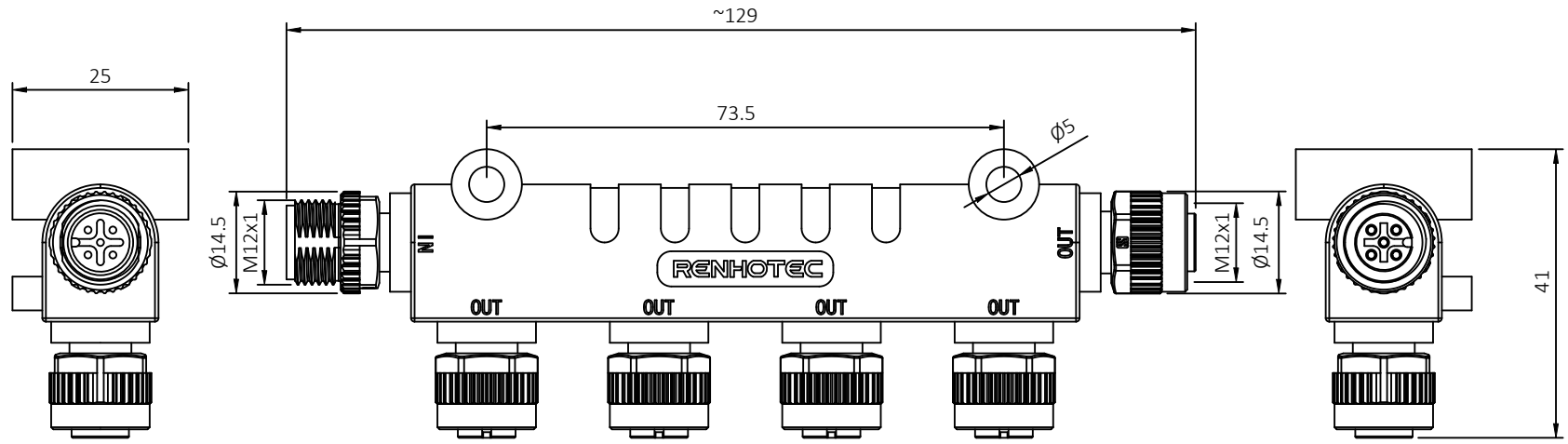




ISSUE	DESCRIPTION	DWN	DATE	APPROVEN
R1.0	First issue	Ding	2024/01/01	JIM.KING



**General Specifications:**  
 Comply with IEC61076-2-101  
 Connector 1: M12 5P Female x5  
 Connector 2: M12 5P Male  
 Locking: Screw Connection  
 Termination: Solder Cup

**Electrical:**  
 Rated Voltage: 60V AC/DC  
 Rated Current: 4A  
 Contact Resistance:  $\leq 5m\Omega$   
 Insulation Resistance:  $\geq 100M\Omega$

**Mechanical:**  
 Mating Cycles: min 500  
 Temperature Range: -25 to 80° C  
 Degree of Protection: IP67

**Material:**  
 Coupling nut/screw: Zinc Alloy, Electroless Nickel  
 Insulator: PA66 UL94-V0 black  
 Contacts: Brass, Gold Plated  
 Seal: FKM ,Green  
 Body Molding:PVC, Blue

Wire list

CONN1	CONN2	CONN3	CONN4	CONN5	CONN6
1	1	1	1	1	1
2	2	2	2	2	2
3	3	3	3	3	3
4	4	4	4	4	4
5	5	5	5	5	5

-TOLERANCES-  
UNLESS OTHERWISE  
SPECIFIED

UNLESS OTHERWISE SPECIFIED  
TOLERANCES FOR MILLIMETERS ARE:  
 0.5 - 8mm  $\pm 0.20mm$   
 8 - 30mm  $\pm 0.25mm$   
 30 - 120mm  $\pm 0.30mm$

		<h1>RENHOTEC GROUP</h1>			
		<b>PART DESCRIPTION:</b> M12 6T-Splitter, M12 5P Male-Female *3			
<b>Appr:</b> JIM.KING		<b>P/N:</b> RHT-634-3402			
<b>Check:</b>	Date	Scale	Unit	Type	Page
<b>Draw:</b> DING	2024.01.01	Free	MM	Z	1/1