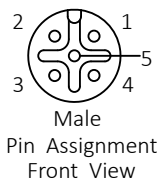


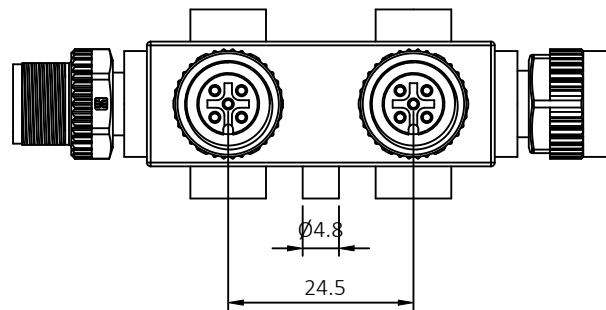
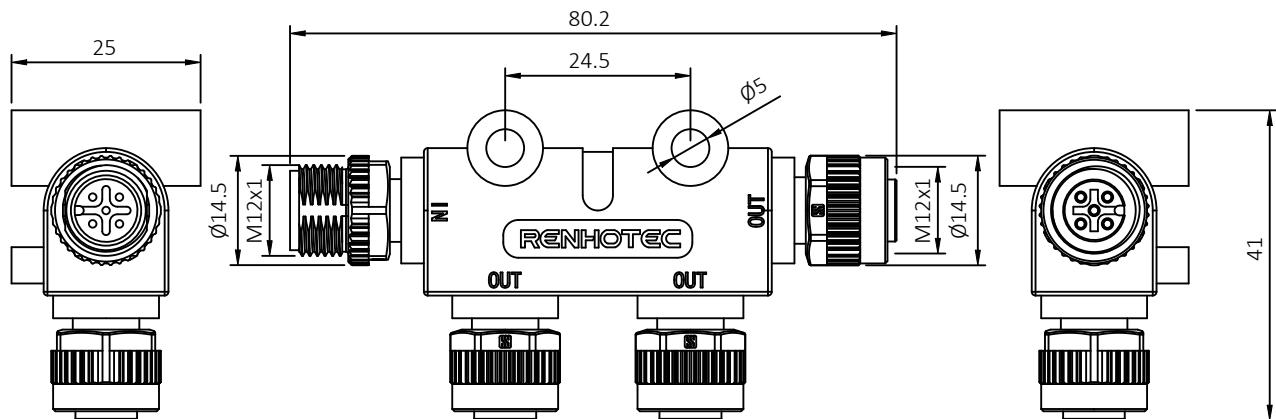
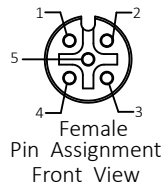


ISSUE	DESCRIPTION	DWN	DATE	APPROVEN
R1.0	First issue	Ding	2024/01/01	JIM.KING



Wire list

CONN1	CONN2	CONN3	CONN4
1	1	1	1
2	2	2	2
3	3	3	3
4	4	4	4
5	5	5	5



General Specifications:
 Comply with IEC61076-2-101
 Connector 1: M12 5P Female x3
 Connector 2: M12 5P Male
 Locking: Screw Connection
 Termination: Solder Cup

Electrical:
 Rated Voltage: 60V AC/DC
 Rated Current: 4A
 Contact Resistance: ≤5mΩ
 Insulation Resistance: ≥100MΩ

Mechanical:
 Mating Cycles: min 500
 Temperature Range: -25 to 80° C
 Degree of Protection: IP67

Material:
 Coupling nut/screw: Zinc Alloy, Electroless Nickel
 Insulator: PA66 UL94-V0 black
 Contacts: Brass, Gold Plated
 Seal: FKM, Green
 Body Molding: PVC, Blue

-TOLERANCES- UNLESS OTHERWISE SPECIFIED UNLESS OTHERWISE SPECIFIED TOLERANCES FOR MILLIMETERS ARE: 0.5 - 8mm ± 0.20mm 8 - 30mm ± 0.25mm 30 - 120mm ± 0.30mm	RENHOTEC GROUP				
	PART DESCRIPTION: M12 4T-Splitter, M12 5P Male-Female *3				
Appr: JIM.KING	P/N: RHT-634-3401				
Check:	Date: 2024.01.01	Scale: Free	Unit: MM	Type: Z	Page: 1/1
Draw: DING					